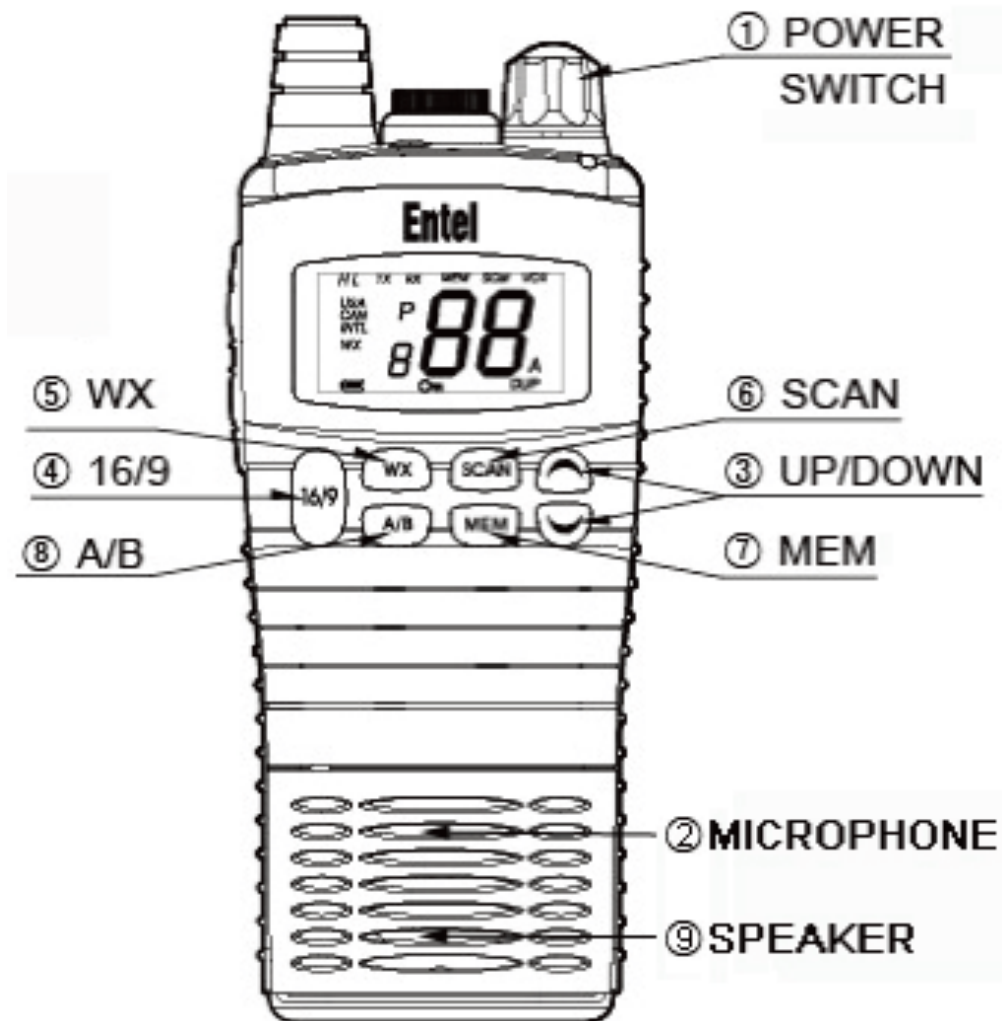


HT20 Entel radio



1 Power & Volume Control: Powers the radio on and off and controls the volume.

2 The Microphone: Internal condenser microphone

3 Up / Down Buttons: Press up / down buttons to change channel.

4 16/9 Button: A momentary press of the button selects channel 16 and a longer press select channel 9.

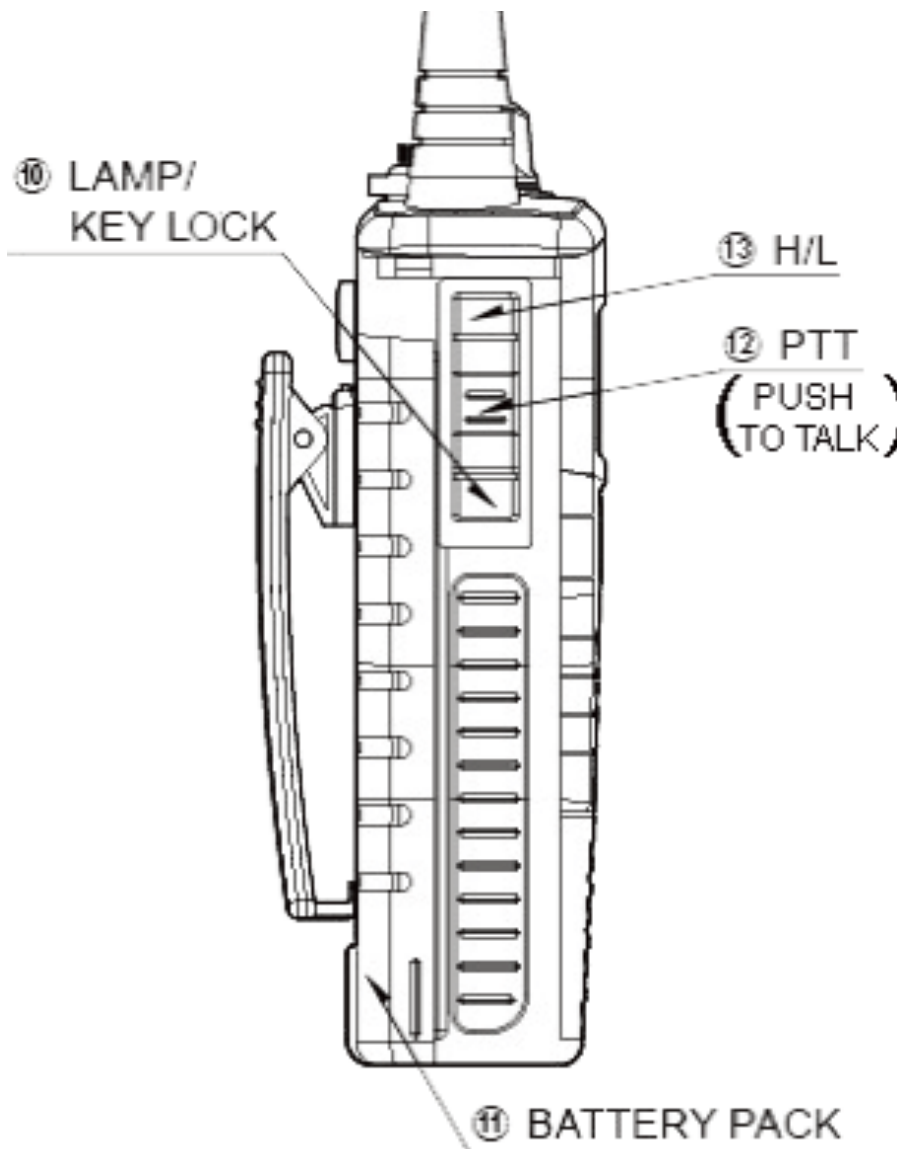
5 WX Button: Immediately recalls the weather channels.

6 Scan Button: Starts / Stops scanning the memorised channels.

7 The MEM Button: Memorises a desired channel for scanning.

8 The A/B Button: Provides Instant access to preassigned channels (if programmed)

9 Speaker: The Radio's Speaker.



10 Lamp / Key lock Button: Momentarily pressing this button illuminates the LCD display. Holding this button for over 1 second activates the key lock. To deactivate the key lock press & hold the button again until the lock removes.

11 The Radio's Battery Pack: Rechargeable lithium-ion battery pack.

12 PTT (Push To Talk Switch): Hold down to transmit, release to receive.

13 H/L Button: Press and hold this button for 1 second to toggle between high and low power (1 & 5 Watts).

Top of radio:

14 LED Indicator: Indicates the status of the radio:

- RED Steady = Transmitting
- RED Flashing slowly = Battery needs re-charging

- GREEN Steady = Receiving